

PS-140 Solar Concentrator

Size: 8810 mm h x 17900 mm swing diameter mass: 5500 kg

System Peak Performance:

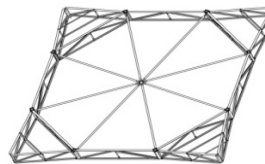
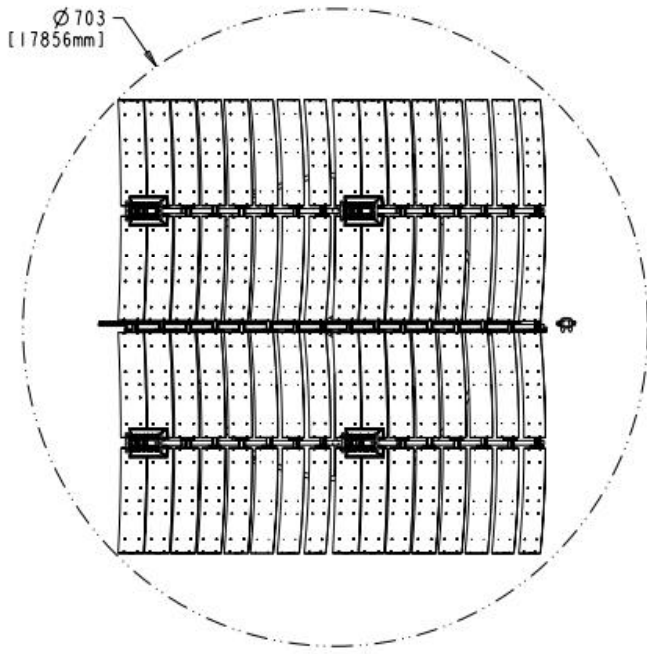
Combined Thermal & Electrical: 28 kW_e AC Electrical and 42 kW_{th} Thermal (143,000 BTU/h_{th})*

Electrical Only: 26 kW_e AC Electrical

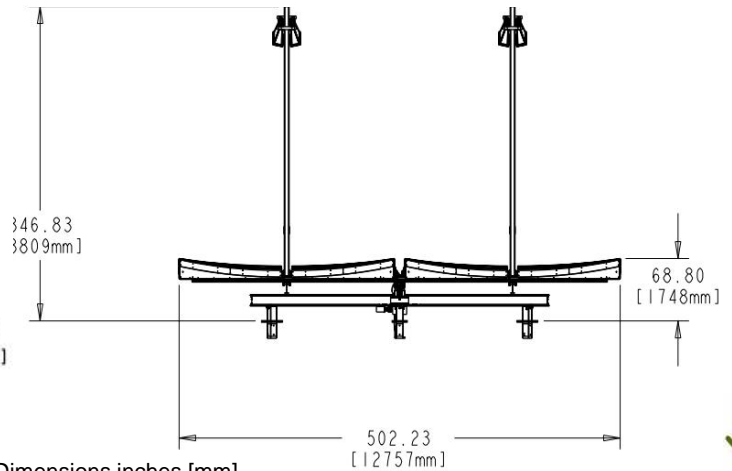
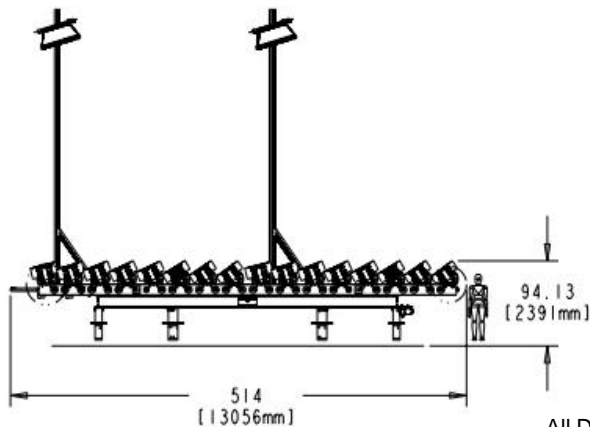
Thermal Only: 85 kW_{th} Thermal (kW_{th}) (290,000 BTU/h_{th})*

Optical Only: 4,460,000 Lumens @ 30'

* Peak watts @ 890 watts/sqm solar radiation - 25°C, measured at module output. Consult Menova for a solar simulation with our "EnerCalc" software.



Optional Frame base for roof mount load spreading installations



All Dimensions inches [mm]



Applications:

Utility Scale Electricity Generation (PV)
 High Density Commercial Thermal
 Photo Bioreactor

Solar Thermal Air Conditioning
 Net Zero Energy Buildings
 Combined Solar Heat and Power

Mounting Options:

Parking lot, ground and roof top